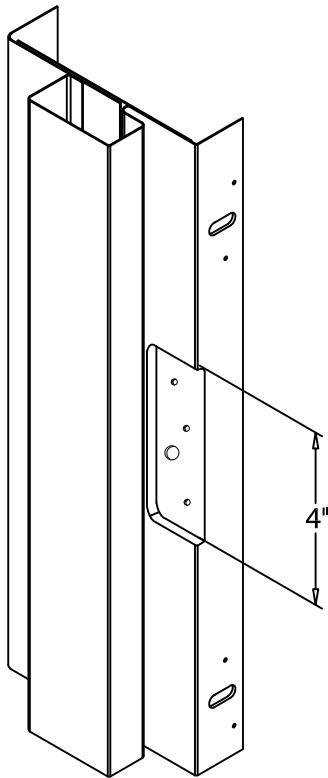


HANDICAP

DOOR HEIGHT	"A" DIM	"B" DIM	"C" DIM	"D" DIM	"E" DIM
8'0"	7- $\frac{3}{4}$ "	25- $\frac{3}{16}$ "	25- $\frac{3}{16}$ "	25- $\frac{3}{16}$ "	96- $\frac{1}{8}$ "



4" x 5/8" RADIUS
.115 (2.92) DEPTH

