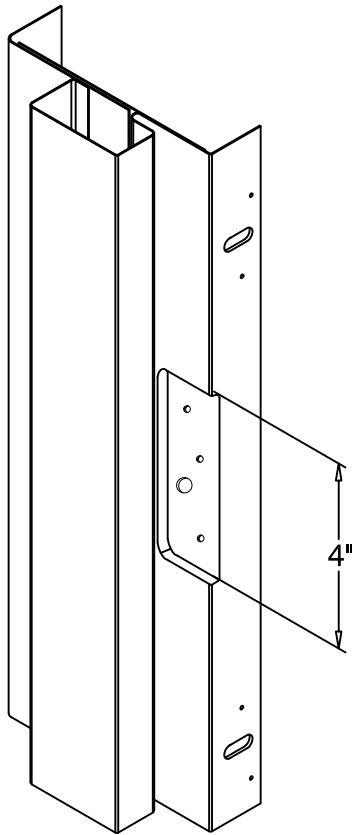


HANDICAP

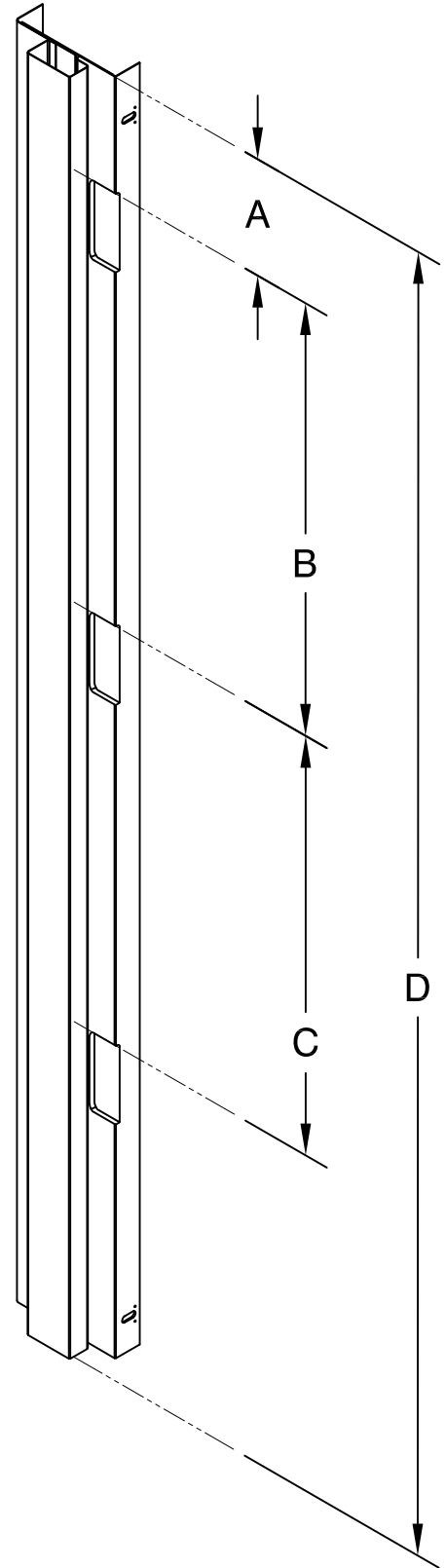
DOOR HEIGHT	"A" DIM	"B" DIM	"C" DIM	"D" DIM
6'8"	7- $\frac{3}{4}$ "	29- $\frac{15}{16}$ "	29- $\frac{15}{16}$ "	80- $\frac{1}{8}$ "
7'0"	9- $\frac{3}{4}$ "	29- $\frac{15}{16}$ "	29- $\frac{15}{16}$ "	84- $\frac{1}{8}$ "

NON-HANDICAP

DOOR HEIGHT	"A" DIM	"B" DIM	"C" DIM	"D" DIM
6'8"	7- $\frac{3}{4}$ "	29- $\frac{15}{16}$ "	29- $\frac{15}{16}$ "	80- $\frac{5}{16}$ "



4" x 5/8" RADIUS
.115 (2.92) DEPTH



QuikFIT STEEL FRAME
6'8" HINGE LOCATION DETAIL

DWG#	XXI-2
DATE	1-28-20
NAME	KRB
SECTION	XXI
PAGE	2