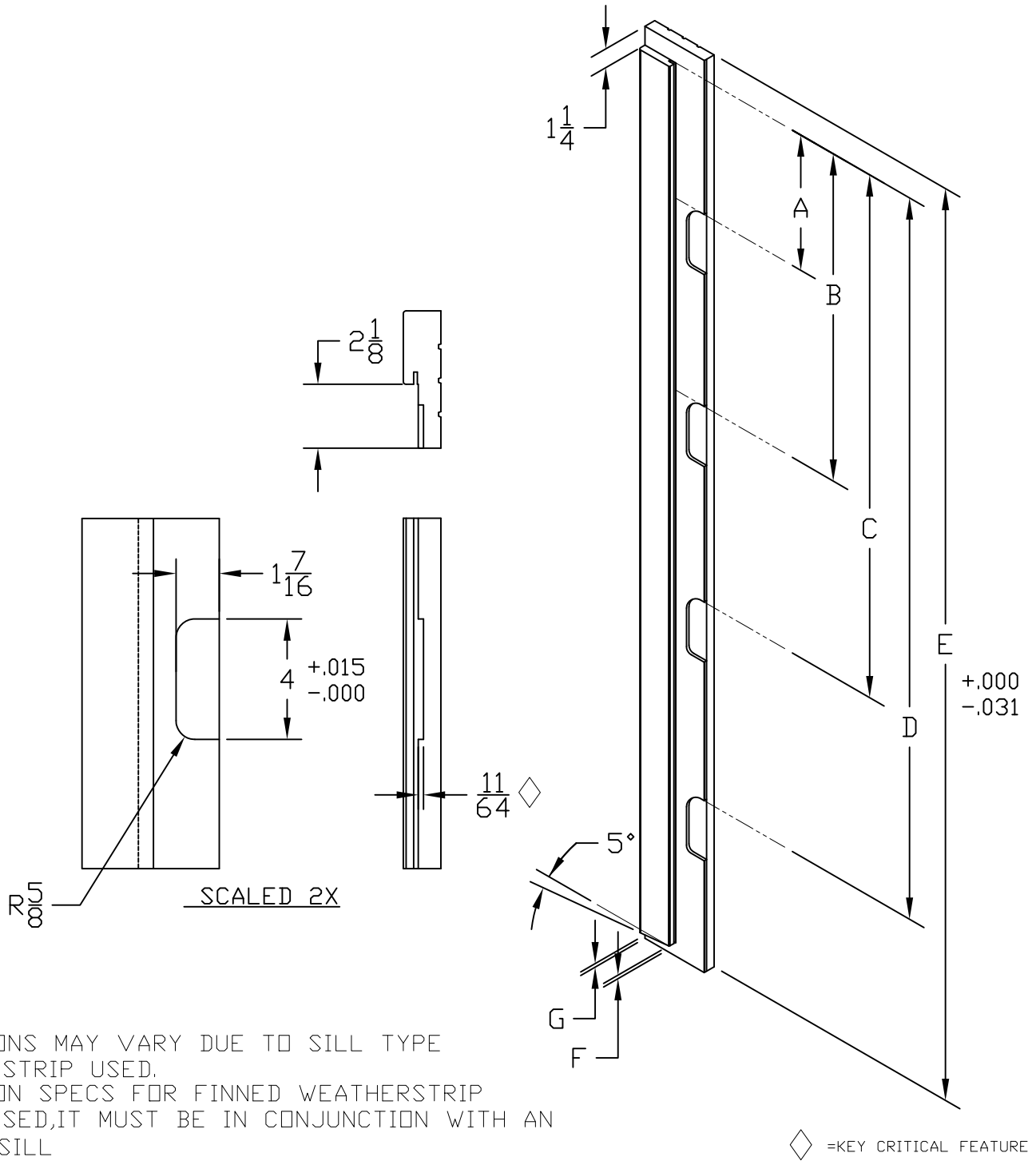


DOOR SIZE	1- $\frac{1}{8}$ " STANDARD DAM SILL								1- $\frac{3}{8}$ " HIGH DAM SILL			
	'A' DIM	'B' DIM	'C' DIM	'D' DIM	'E' DIM	'F' DIM	'G' DIM	DEG°	'E' DIM	'F' DIM	'G' DIM	DEG°
8'0"	7.25	32.438	57.625	82.813	97.375	.9375	.719	5°	97.625	.938	.688	5°



NOTE: DIMENSIONS MAY VARY DUE TO SILL TYPE AND WEATHERSTRIP USED.  
 NOTE: DIMENSION SPECS FOR FINNED WEATHERSTRIP IF BULB IS USED, IT MUST BE IN CONJUNCTION WITH AN ADJUSTABLE SILL



8'0" WOOD FRAME HINGE  
 LOCATION DETAIL

DWG#	VIII-6
DATE	7-15-05
NAME	MJP
SECTION	VIII
PAGE	6