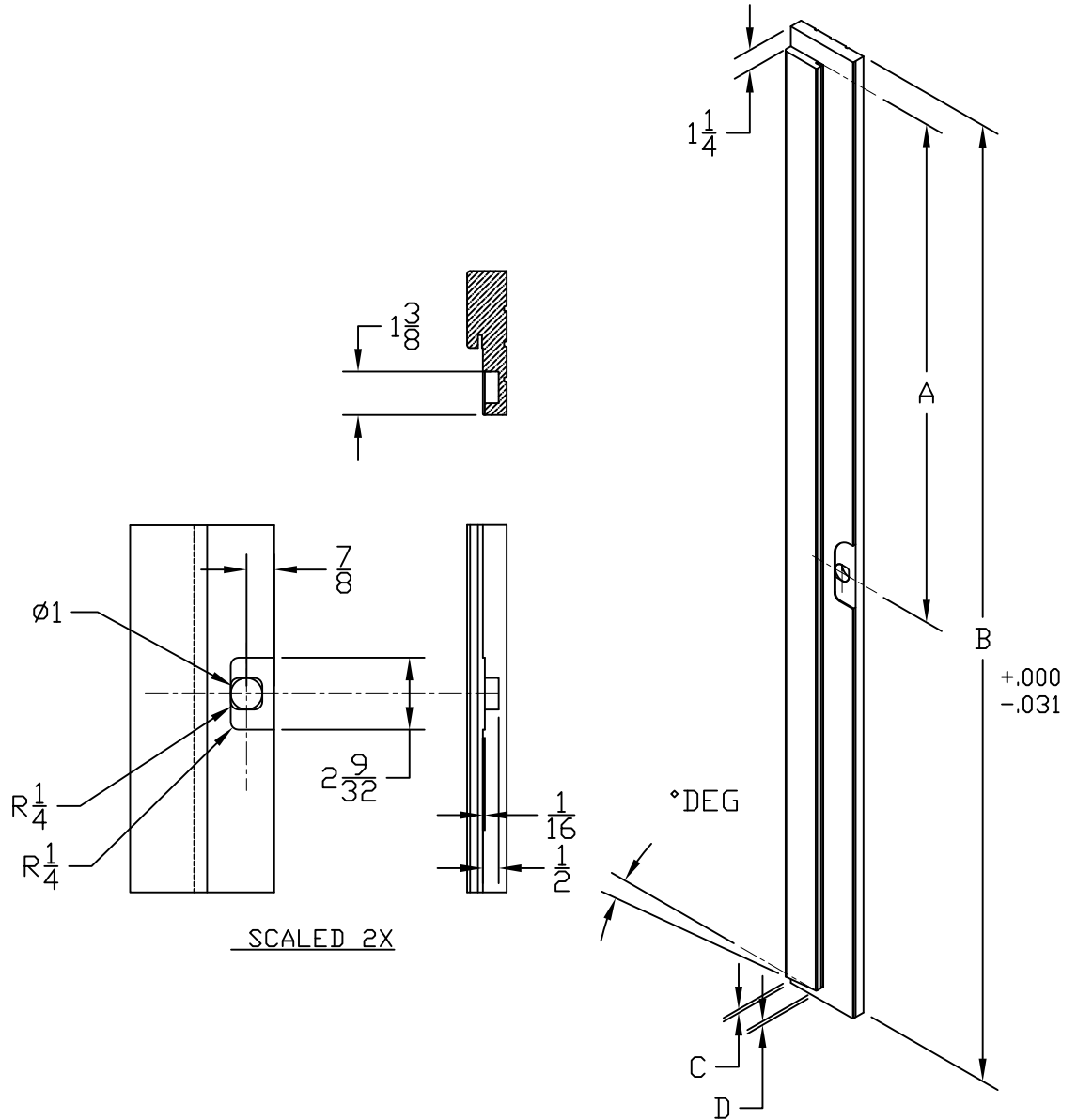


DOOR SIZE	1- ¹ / ₈ " STANDARD DAM SILL					1- ³ / ₈ " HIGH DAM SILL			
	"A" DIM	"B" DIM	"C" DIM	"D" DIM	DEG°	"B" DIM	"C" DIM	"D" DIM	DEG°
6'6"	44- ³ / ₄ "	79.375	.719	.9375	5°	79.625	.688	.938	5°
6'8"	44- ³ / ₄ "	81.375	.719	.9375	5°	81.625	.688	.938	5°
7'0"	46- ³ / ₄ "	85.375	.719	.9375	5°	85.625	.688	.938	5°
8'0"	55-9/16"	97.375	.719	.9375	5°	97.625	.688	.938	5°



NOTE: DIMENSIONS MAY VARY DUE TO SILL TYPE AND WEATHERSTRIP USED.
 NOTE: DIMENSION SPECS FOR FINNED WEATHERSTRIP IF BULB IS USED, IT MUST BE IN CONJUNCTION WITH AN ADJUSTABLE SILL