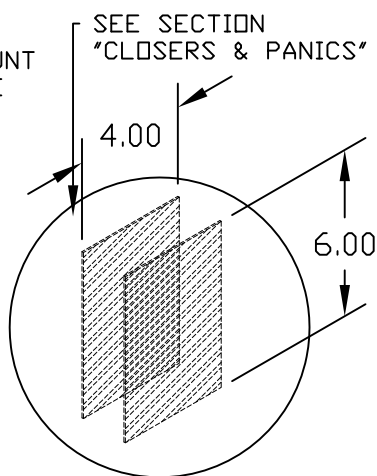
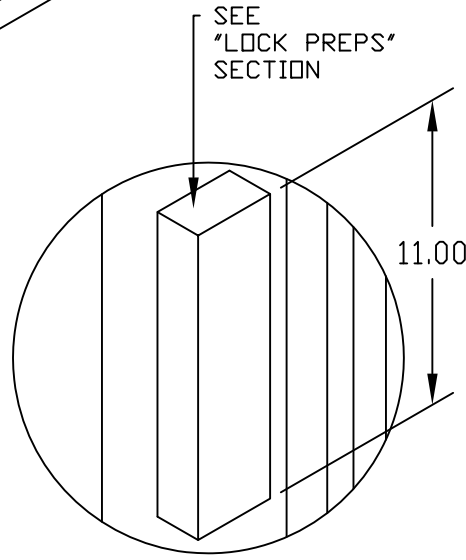


DETAIL "A"  
SCALED 4X



DETAIL "B"  
SCALED 4X

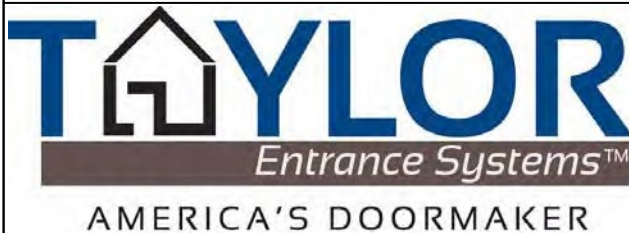


DETAIL "C"  
SCALED 4X

SEE SECTION "HINGE PREPS" BLANK, MORTISED OR SURFACE MOUNT PREP AVAILABLE

SEE SECTION "CLOSERS & PANICS"

SEE "LOCK PREPS" SECTION



WOOD EDGE  
STEEL ENTRY DOOR  
CONSTRUCTION DETAIL

DWG#	III-1
DATE	6-01-07
NAME	MJP
SECTION	III
PAGE	1